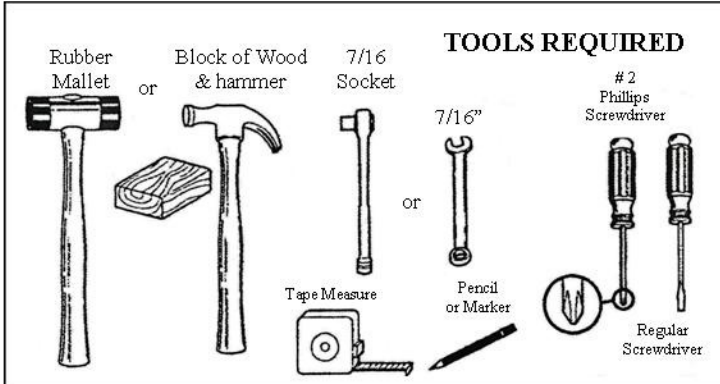
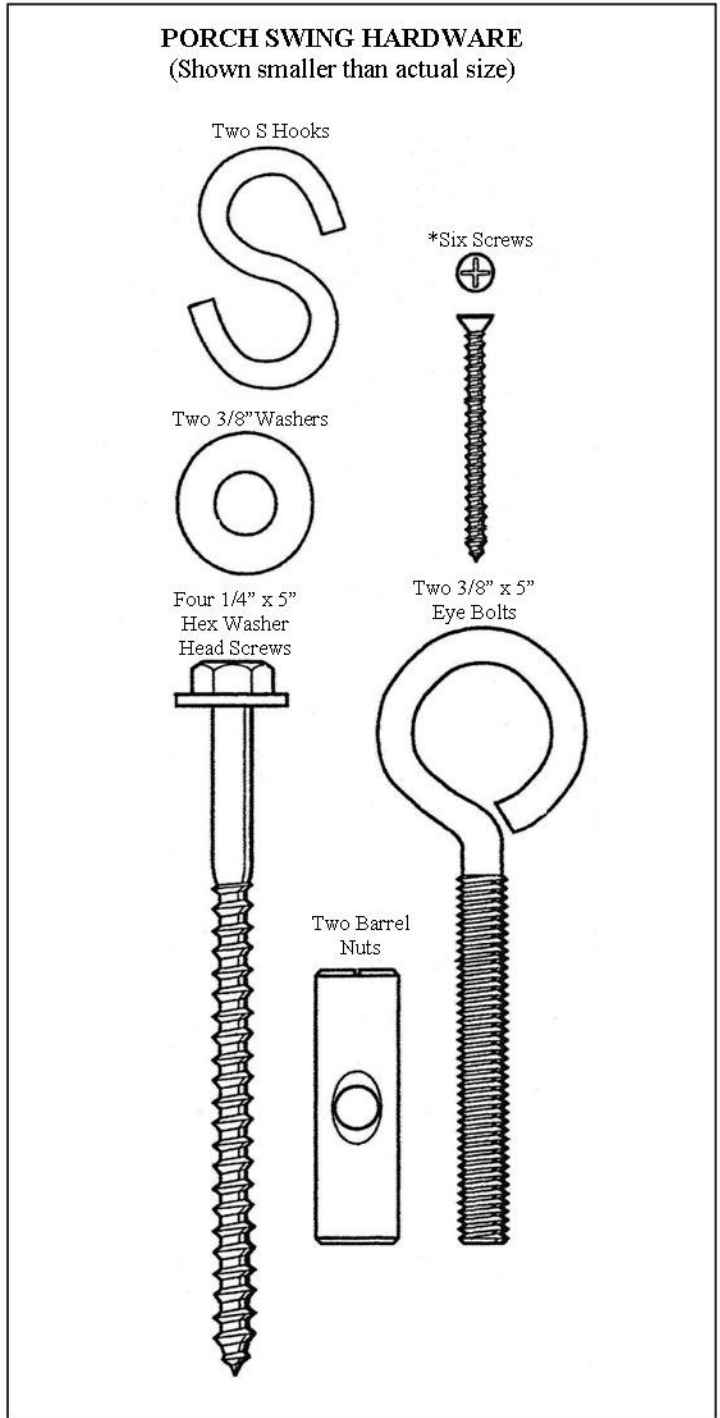
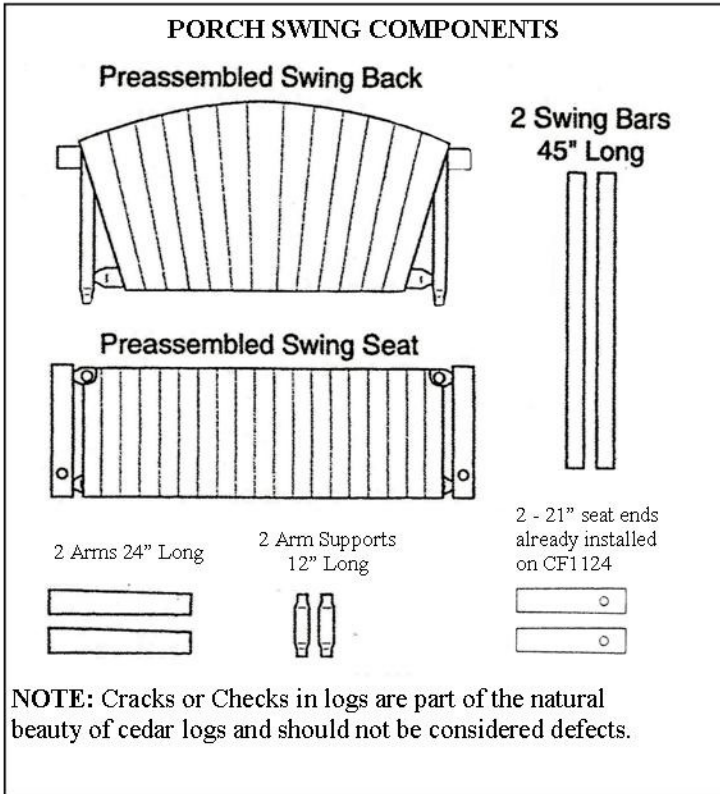


Please check contents before assembly. If any items are missing or damaged, **do not take the unit back to the store.** Call 1-800-427-5136 for customer service and we will save you time by correcting any problems directly for you.

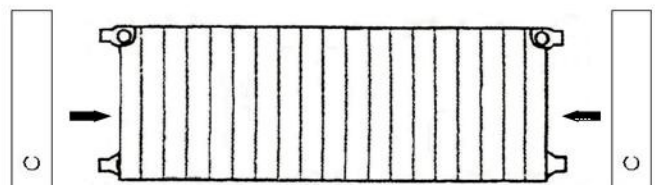


NOTE:

- Read all instructions before starting.
- To start hex washer head screws, hammer into wood about 1/2" then use wrench to tighten.
- Do not completely tighten any screws until the unit is fully assembled and setting on a level surface.
- Use a rubber mallet (or a block of wood between the hammer and the unit) to drive doweled ends into holes as far as possible.

For model # CF1123 - 4' Porch Swing: Install seat end onto seat. Line holes in seat end up with dowels on seat as shown in picture right. Repeat on other side. Secure with screws perpendicular to dowel.

* 4 additional screws are supplied with this unit to attach seat ends.



Above is for Model # CF1123 - 4' Porch Swing, continue to other side for CF1124 - 5' Porch swing.

SEAT ASSEMBLY

Lay assembled seat on ground. Insert dowel end of up-rights on assembled back into 1-1/4" holes on the back seat rail, adjusting uprights in or out as needed to align properly. Do not tap on seat back with hammer

To keep the seat rail from splitting, lay the back on the ground and drive the seat on by hitting the bottom of the seat assembly.

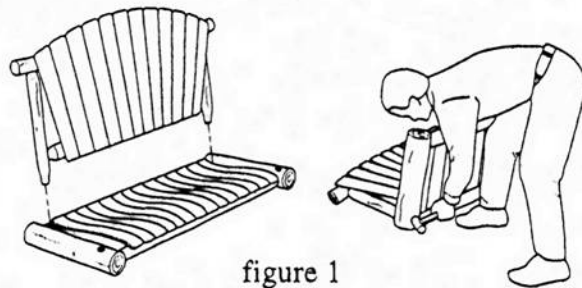


figure 1

Insert 12" arm support into 1/1/4" hole in arm, then into 1 1/4" hole in the top of the seat end. Drive dowels in as far as possible. Fasten arm to frame for the back by tightening the preinstalled 1/4" x 5" lag screw into the pilot hole in the arm with a wrench. Repeat process for the other arm.

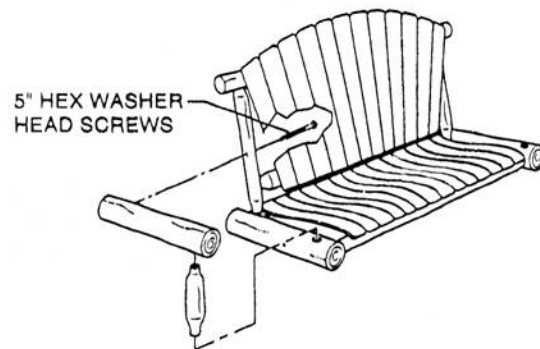
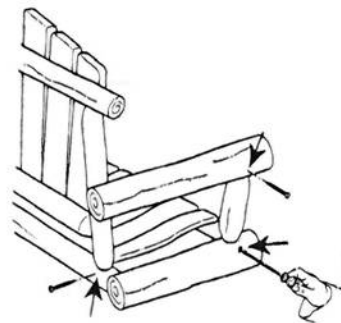


figure 2

Secure all dowel joints in place with screws perpendicular to the doweled end as shown below.

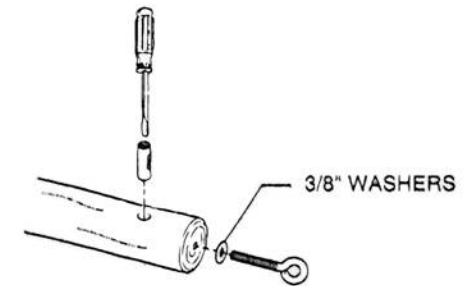
**lakeland
mills**

figure 3



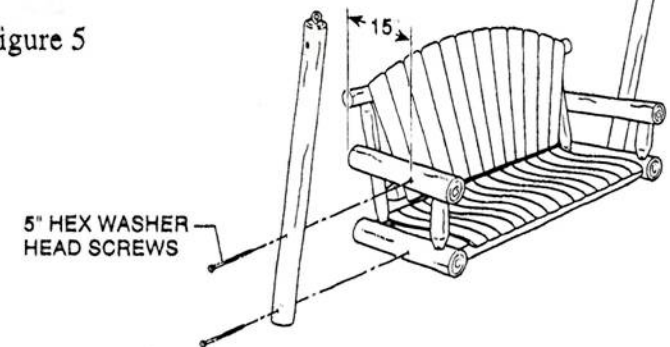
Place barrel nut into horizontally drilled hole in end of swing bar. Position barrel nut with screwdriver and screw in 5" eyebolt with 3/8" washer as shown. **TIGHTEN DOWN SECURELY!** Repeat process for other swing bar.

figure 4



Fasten swing bars to side of unit as shown. With hammer, tap a 5" hex washer head screw through the bottom hole in swing bare and into pilot hole on seat end. Tap 5" hex washer head screw through the upper hole in the swing bar and into arm about 1/2" deep at the point 15" from the back of the arm. (This gives a suggested pitch of the seat. You may change the pitch by altering the location of the hex washer head screws in the arm.) Tighten down hex washer head screws.

figure 5



If you have hardware left over after completing your unit, it most likely has been assembled incorrectly, and may not be safe to use. Please call Customer Service at 800-427-5136 for assistance.

NOTE: Check all nuts and bolts for tightness before and during each usage season.