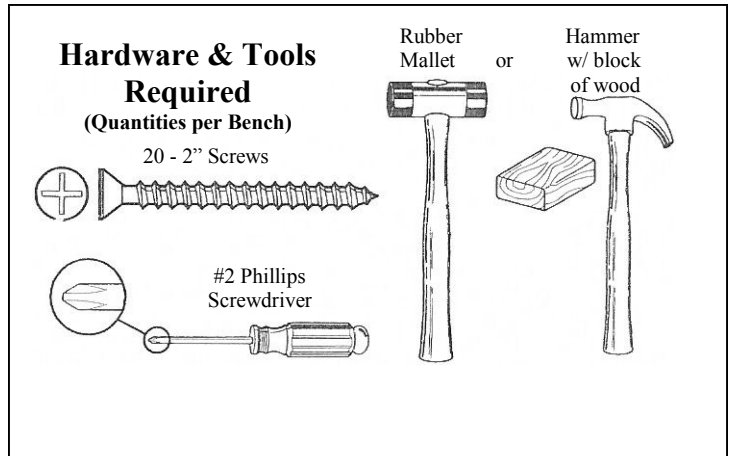
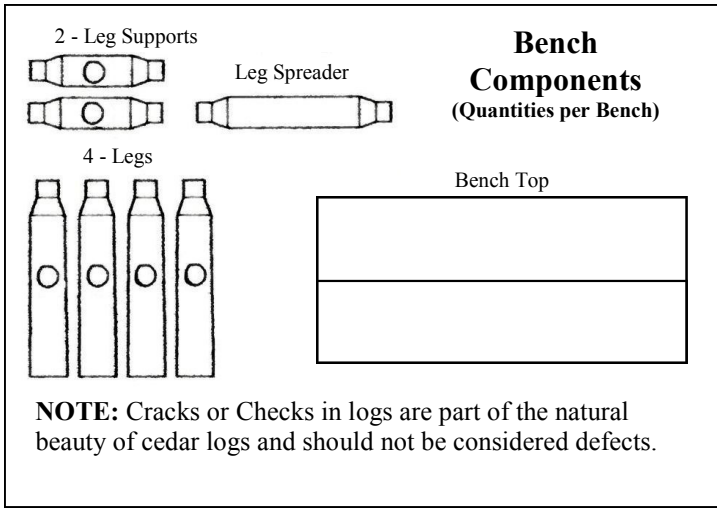


# CF1223 End Bench



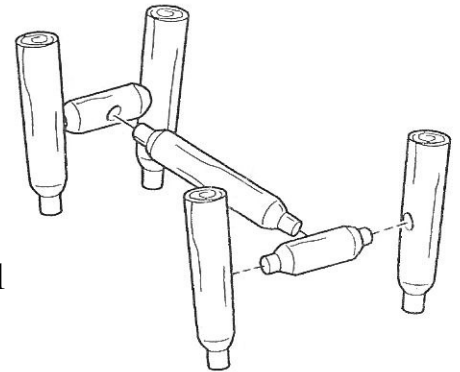
- Read all instructions before starting.

### Helpful Tips:

- Use a rubber mallet (or a block of wood between the hammer and the unit) to drive doweled ends into holes as far as possible.
- If you have hardware left over after completing your unit, it most likely has been assembled incorrectly, and may not be safe to use. Please call Customer Service at 800-427-5136 for assistance.
- **Check all nuts and bolts for tightness before and during each usage season.**

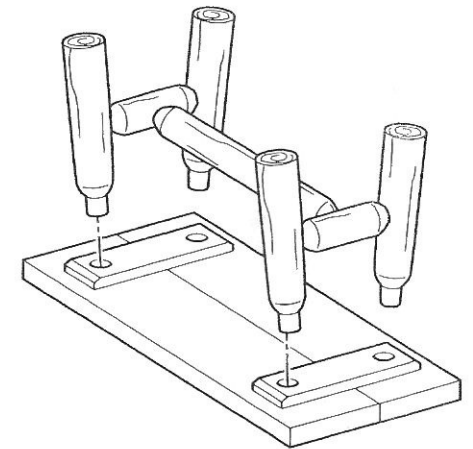
**STEP 1** Insert a leg support into the hole of two of the legs. Next insert the leg support into the hole on the two remaining legs. Insert leg spreader into the hole on each of the leg supports. Use a rubber mallet to drive the leg assembly together. See figure 1.

Figure 1



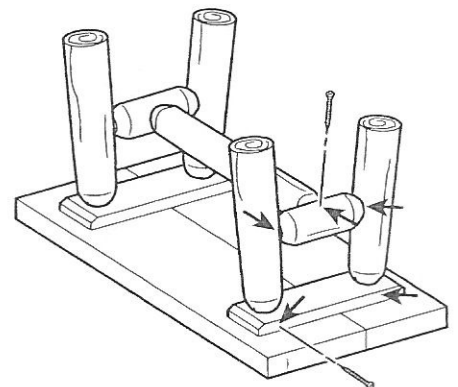
**STEP 2** Place the bench top on a clean flat surface. Align the doweled ends of the leg assembly with the holes in the bench top as shown in figure 2.

Figure 2



**STEP 3** Secure dowel joints in place with screws perpendicular to the doweled end as shown in figure 3. Attach a screw in the areas indicated by arrows, on both ends.

Figure 3



Your bench is now assembled and ready to use immediately or a quality exterior penetrating finish can be applied.

