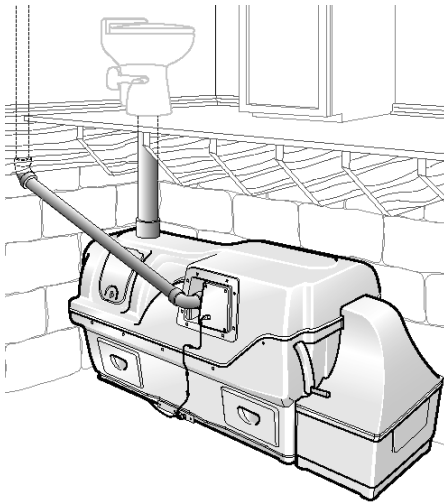
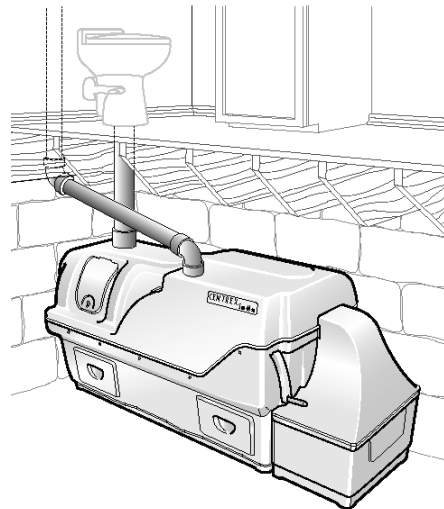


## CENTREX 3000 OWNER'S MANUAL



**CENTREX 3000**



**CENTREX 3000 NE**



Certified to NSF/ANSI Standard 41

Standard 41

Certified for liquid containment,  
odours, and solid end products in both res-  
idential and cottage use

### **RATED CAPACITY**

#### **Residential & Continuous Use**

CENTREX 3000 Electric Units; 6 Adults

CENTREX 3000 NE units; 5 Adults

#### **Weekend & Vacation Use (Cottage Use)**

CENTREX 3000 Electric Units; 9 Adults

CENTREX 3000 NE Units; 8 Adults