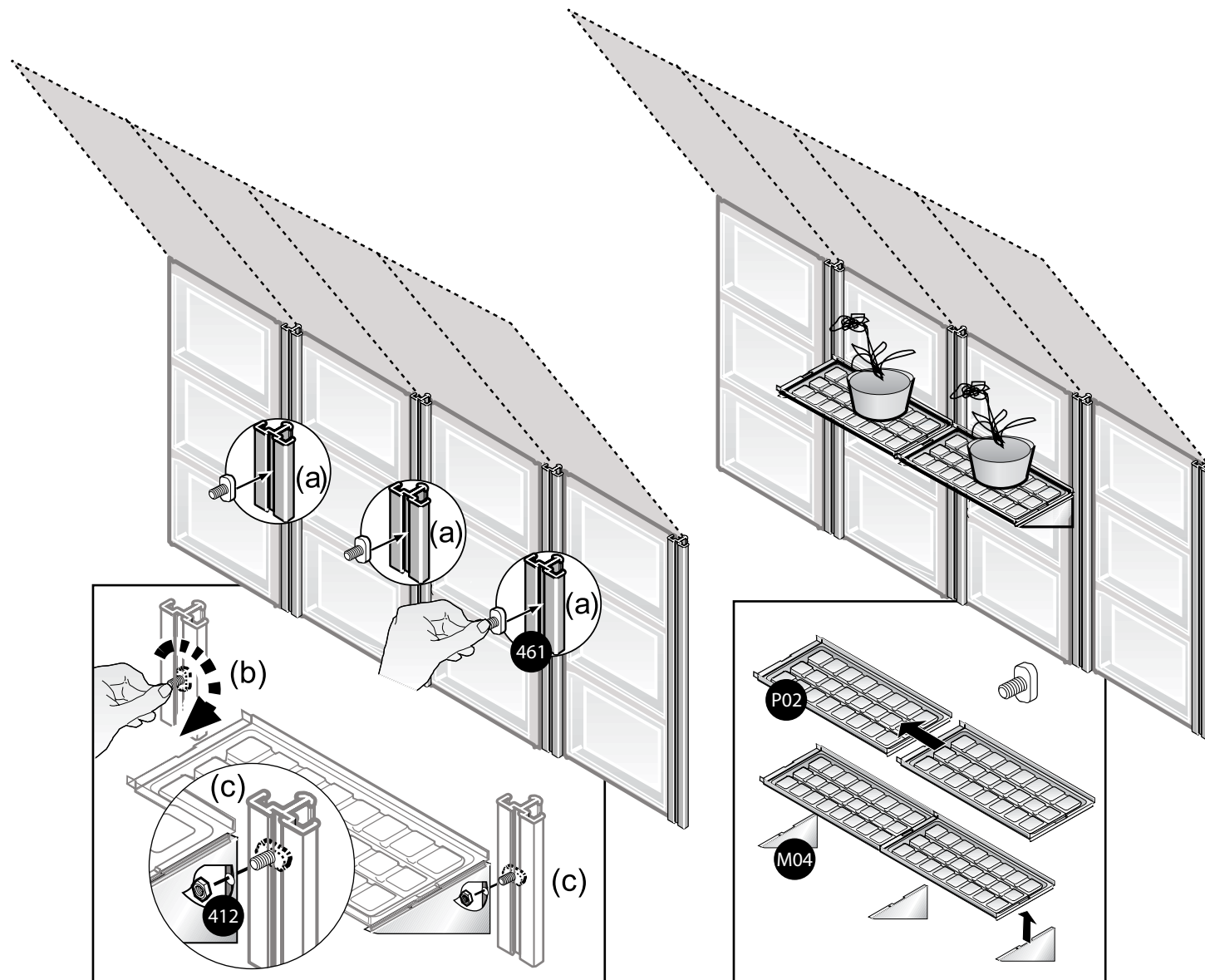
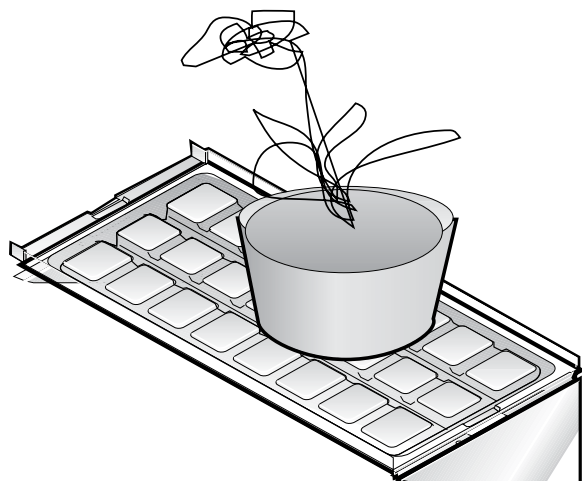






# Shelf Kit

## Assembly Instructions



 <p>P02 x 2</p>	 <p>M04 x 3</p>	 <p>461 x 7 (1 Spare)</p>	 <p>412 x 7 (1 Spare)</p>
-----------------------------------------------------------------------------------------------------	------------------------------------------------------------------------------------------------------	----------------------------------------------------------------------------------------------------------------	----------------------------------------------------------------------------------------------------------------