



## LockState LS-6600 User Manual

Before installing and using your LS-6600, please review the following important notes:

- ◆ The original master access code is set to “111111”(Factory Default)
- ◆ **ALL** user and master access codes must be 6 digits in length
- ◆ The LS-6600 can save up to 199 sets of user access codes and 1 master access code (Total 200)
- ◆ The master access code can be used to enroll or delete users. It is also used for one-button passage mode (in this mode the lock opens with any single button pressed).
- ◆ When the batteries are low you will hear 6 consecutive beeps each time the lock is operated.

### Operating the Lock

**Electronic Access:** The lock opens with either the master access code or a user codes. To open the lock, enter your 6 digit access code. The green light flashes and the lock plays a sequence of beeps indicating it has been unlocked. Within 5 seconds, turn the handle to open the door.

**Key Access/Passage Mode:** Remove the cap in the center of the handle with tool 1 provided. Insert the key and turn counter-clockwise 3 to 5 full rotations until the outside door handle engages the latch. Remove the key and the lock remains in passage mode (unlocked). To exit passage mode and re-lock, turn the key clockwise 3 to 5 full rotations until the outside handle no longer engages the latch.

### Programming the Lock

#### 1. Enrolling Users

Each user that you enroll has 2 numbers associated with them: (1) a 3 digit user number and (2) a 6 digit access code. The 3 digit user number is used to delete the user from the system. We recommend keeping a chart of all user numbers and their associated access codes. For all programming, after completing a step successfully you will hear only a 3 beep confirmation. If completing steps unsuccessfully, you will hear the 3 beep confirmation followed by a 6 beep failure sound. In this case please wait 5 seconds and start the entire process over. After completing a final step successfully, you will hear a different 5 beep confirmation sound.

#### 1. Steps for Enrolling Users

- 1) Press “# # ”
- 2) Enter your master access code (factory default “111111”)
- 3) Press “# \* \* ”
- 4) Enter a 3 digit user number (Careful – entering an existing # will override the old #)
- 5) Enter a 6 digit user access code
- 6) Re-enter the 6 digit user access code

(EXAMPLE: “## ” + “111111” + “##\* \* ” + “ 001” + “ 123456” + “123456”)

#### 2. Steps for Changing Codes (Master Codes AND User Codes)

(1)press “# # ”, (2) enter the code being changed, (3)enter “\* \* \* ”(4)enter new code, (5)re-enter

new code

#### **4. Steps for Deleting Users**

(1)press “# # ”, (2)enter the master code, (3)press “\* # \* ”, (4)enter the 3 digit user number, (5)re-enter the 3 digit user number

#### **5. Steps for Entering One-Button Passage Mode** (lock will open when ANY single button is pressed)

(1)press “# # ”, (2)enter master code, (3) press “# # # ”, (4) again press “# # # ”

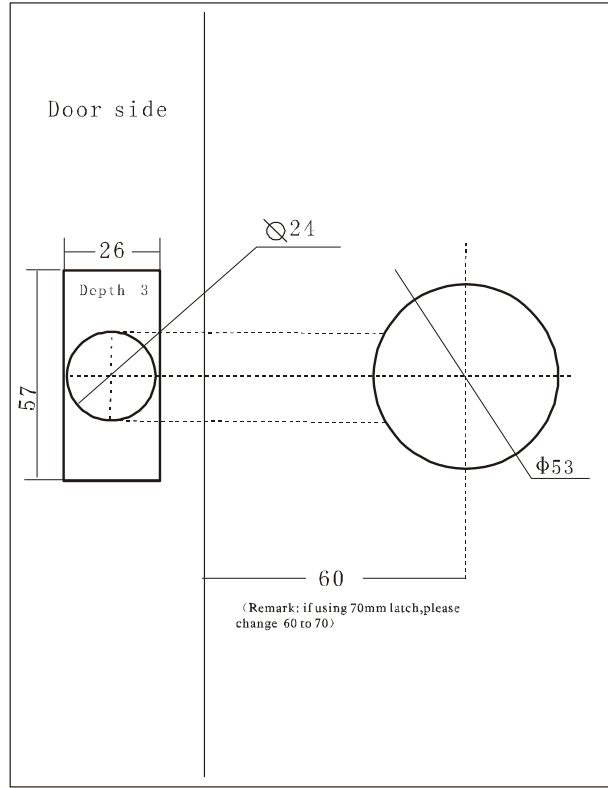
#### **6. Steps for Exiting One-Button Passage Mode** (lock requires access code to open – factory default)

(1)press any button, (2)press “# # ”, (3)enter master code. (4)press“# # #”, (5)again press“# # # ”

## **How to Change the Cylinder**

The LockState cylinder is especially designed to be easily changed and re-keyed. Whether you are re-keying the LockState LS-6600 yourself or having a professional re-key it for you, the simple steps below show how to easily change out the cylinder or re-key the lock.

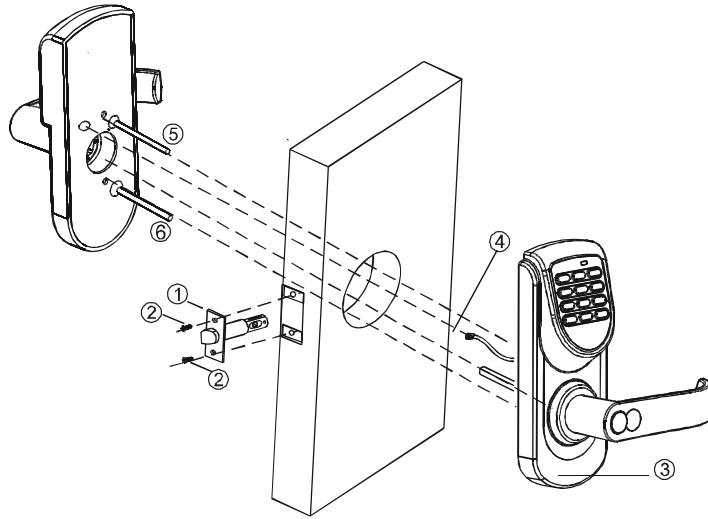
1. Use tool 1 to pull the cover off the handle and expose the keyway.
2. Then pull off the small plastic cap from the handle side hole and use tool 2 to unscrew the hexangular screw.
3. Insert the key into the cylinder and continue to turn it counter-clockwise until the old cylinder is free to be pulled out.
4. Remove the stem cap from the old cylinder.
5. In the next steps you will place the stem cap from the old cylinder on the new cylinder.
6. Remove the tailpiece (stem) from the new cylinder.
7. Put the stem cap from the old cylinder on the new cylinder.
8. Insert the new cylinder into the handle and rotate clockwise until secure.
9. Replace the hexangular screw and plastic cap in the handle side hole.



Single latch lock hole sketch

Pic.1

# Installation notice



Pic.3

## **Resetting the Lock**

Use tool 2 (or a similar shaped item) to press the Reset Button located in the door-facing side of the outside module. Hold the button in for 3 seconds to set the lock to factory default. A series of beeps will indicate that the Resetting was successful.

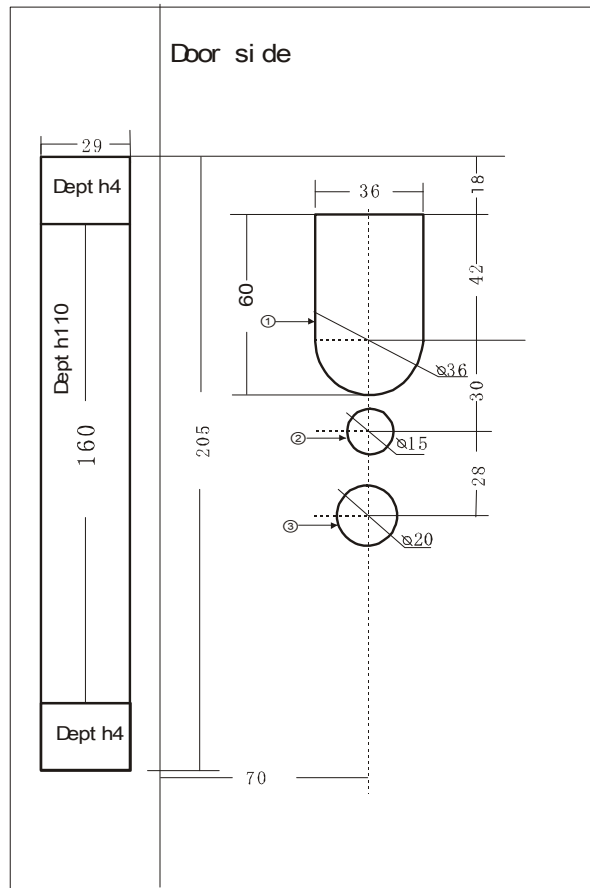
## **Changing the Batteries**

Use Tool 3 to unscrew the cylindrical ring located at the handle base of the back of the lock. Remove the ring and the back cover to expose the battery compartment.

## **Tools**

The following 3 tools are included with this lock to help you easily change the batteries, re-key the cylinder or replace the cylinder.

This manual only applies to LockState model LS-6600 and not to any other LockState lock.



Five latch lock hole sketch

Note: ① .all the holes must be dug from the back of the door.

② .Hole 1.2 dug through the door

③ .Hole 3 dug into depth 25mm

Pic.2