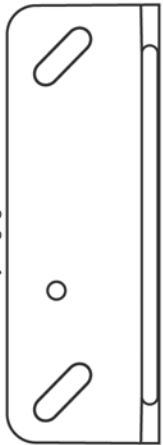


Install strike plate on wood jamb or aluminum "Z" bar to firmly engage latch bolt.



PLACE THIS PART OF TEMPLATE INSIDE OF DOOR AGAINST JAMB
MARK AND DRILL 5/16" HOLES THROUGH DOOR.
REAM OUT AND DEBURR CENTER HOLE.

FOLD ON THIS LINE

3/4"



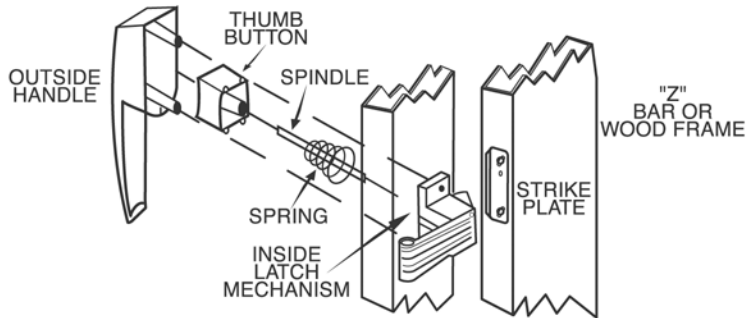
DRILLING TEMPLATE FOR LATCH

Caution: Locate installation so that latch will not hit entrance lock.

1. With door in closed position, place template on inside of door at desired height so that short folded end is against jamb or metal "Z" Bar, whichever projects farther, and long part of template is against face of door.
2. Mark position of the three holes.
3. Using a 5/16" drill, bore the three holes straight through the face of the door. NOTE: Ream out center hole by inserting drill and rotating with a slight wobbling action to clear hole and allow complete freedom of motion for spindle. SPINDLE MUST BE FREE

INSTALLATION INSTRUCTIONS FOR **PUSH BUTTON LATCH**

CAUTION: LOCATE INSTALLATION SO THAT LATCH WILL NOT HIT ENTRANCE LOCK
STEP 1. For accurate installation, follow instructions on drilling template.



- STEP 2. Place spindle and spring in thumb button or lock button and insert them into outside handle.
- STEP 3. Push this assembly through the drilled holes from the outside of door. Then position lever handle mechanism over holes on inside of door and insert screws through door into threaded sleeves. Tighten screws evenly. (WARNING: Do not use power screw driver.)
- STEP 4. Install strike plate on wood jamb or aluminum "Z" bar so that it firmly engages bolt.

Important note: If your door is 1" thick, you will need to use the enclosed shim between the inside handle and face of door. This shim is black plastic and measures appx. 2-1/4" x 11/16" x 5/16" thick, and can be found in your hardware kit.