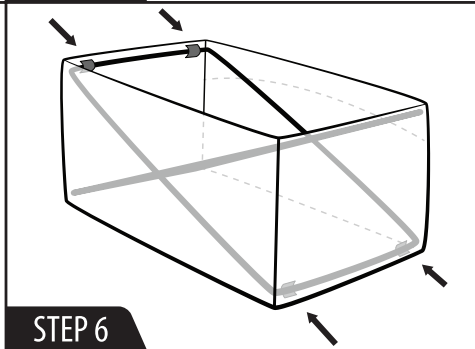
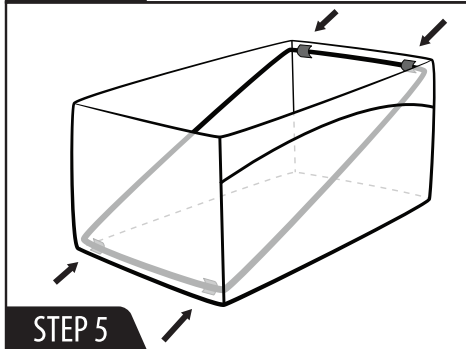
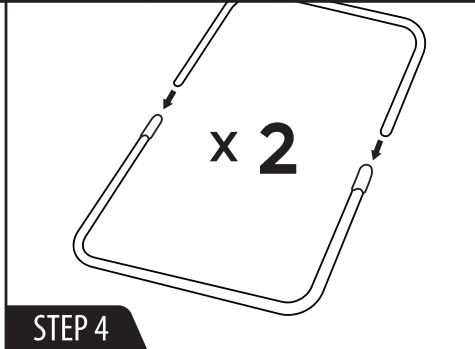
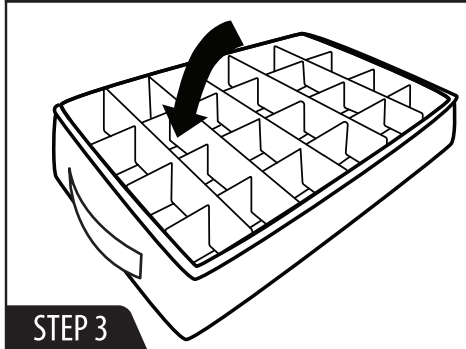
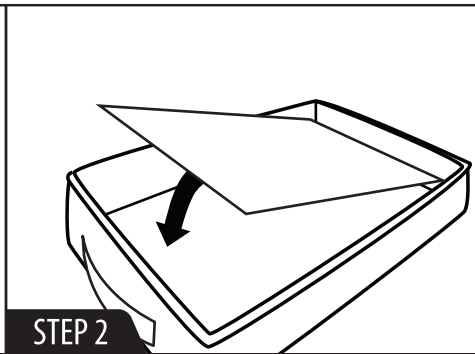
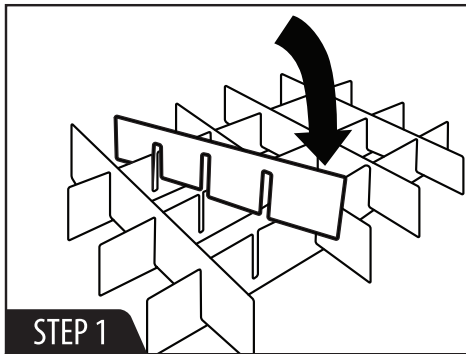




ORNAMENT KEEPER INSTRUCTIONS

DO NOT RETURN TO VENDOR.
For assistance with assembly including instructional videos, parts and customer service visit
www.TreeKeeperBags.com

ASSEMBLY INSTRUCTIONS



Step 1. Assemble the dividers by crossing the long cardboard sections with the short sections inserting them in the slots on each piece as shown.

Step 2. Unfold and expand the tray and insert the tray base into each tray as shown.

Step 3. Next, insert the assembled tray structure into each tray.

Step 3. Assemble the Bag Frame by connecting the two half frames together in the middle via the opposing Male/Female couplers at the end of each frame piece. Assemble two complete rectangle frames as shown.

Step 4. Take the first frame section and insert it diagonally into the bag as shown. Once in place, locate the small velcro tabs sewn into the bag at the top and bottom seams and secure the frame into place.

Step 5. Install the second frame in the opposite direction. As this might be a tight fit, it's OK to stretch the fabric a little to position the frame correctly into the bag.