

Garden Products and Accessories

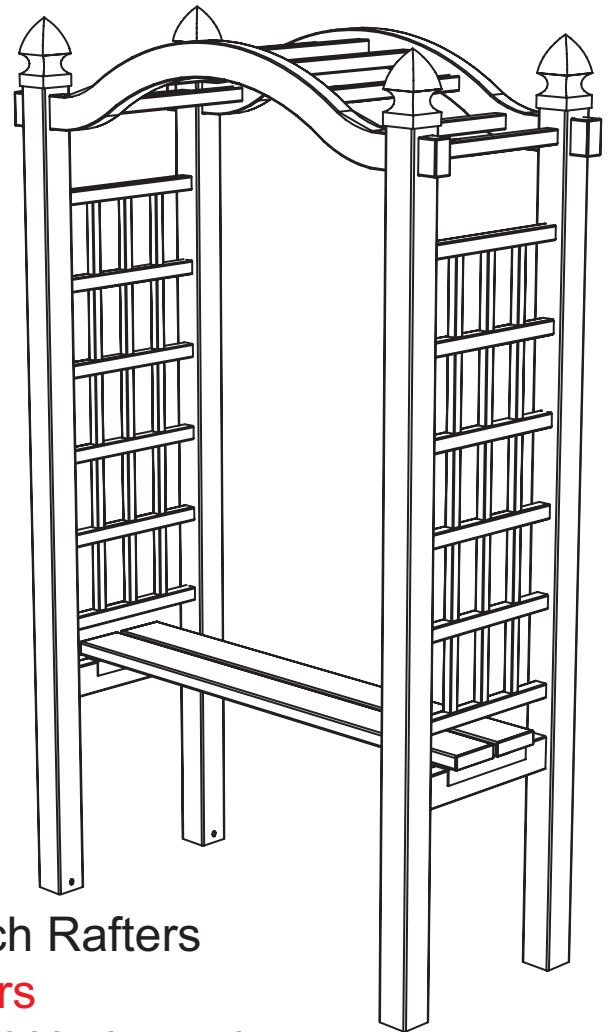
www.e-Presidio.com

1-800-515-2459

Arbor and Garden Bench

88" H x 59" W x 24-1/2" D 48" Opening

Important! Please be sure to follow instructions carefully, in proper sequence! "No tools required." All parts have been designed to fit firmly in place without special tools. Assembly can be done by one person, although it may be helpful to have a helper available when assembling the arbor top to the posts in Step 5.



Parts List

Qty.	Description
2	Arched Arbor Tops
7	1-1/2" x 1-1/2" x 22" Middle Arch Rafters
2	1-1/2" x 1-1/2" x 21" End Rafters
8	1-1/2" x 1-1/2" x 24" Side Panel Horizontals
4	1-1/2" x 1-1/2" x 24" Top & Bottom Side Panel Horizontals
6	1" x 1" x 47-1/2" Side Panels Verticals
4	3-1/2" x 3-1/2" x 89" Posts
2	1-3/4" x 3-1/2" x 24" Bench Supports
1	Bench Assembly with Aluminum Inserts
4	3-1/2" x 3-1/2" Gothic Caps
4	2" x 3-1/2" Arbor End Caps
4	1-1/2" x 5-1/2" Bench End Caps
1	Tube/Can PVC Adhesive
4	Post Anchors



To receive information on Westech Vinyl Fence, Deck and Railing Products, or to inquire about the location of a Westech dealer nearest you call 1-800-464-8614

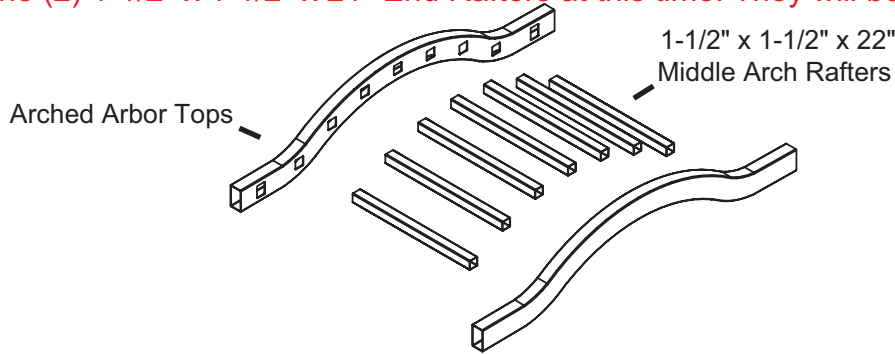
e-mail: info@westechfence.com

www.westechfence.com

Assembly Steps

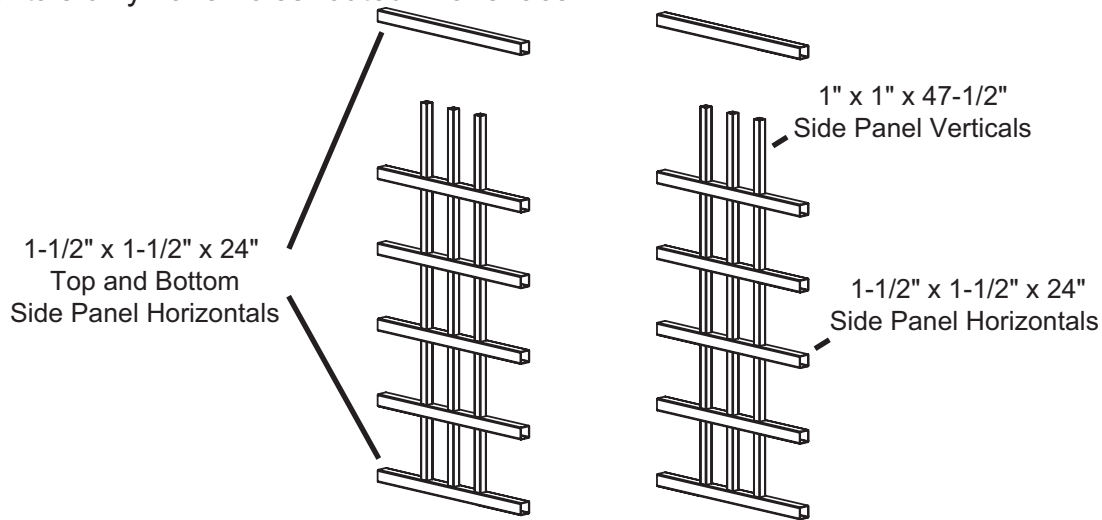
Step 1

Insert the (7) 1-1/2" x 1-1/2" x 22" Middle Arch Rafters into the middle holes of the Arched Arbor Tops. Do not install the (2) 1-1/2" x 1-1/2" x 21" End Rafters at this time. They will be installed later in Step 6.



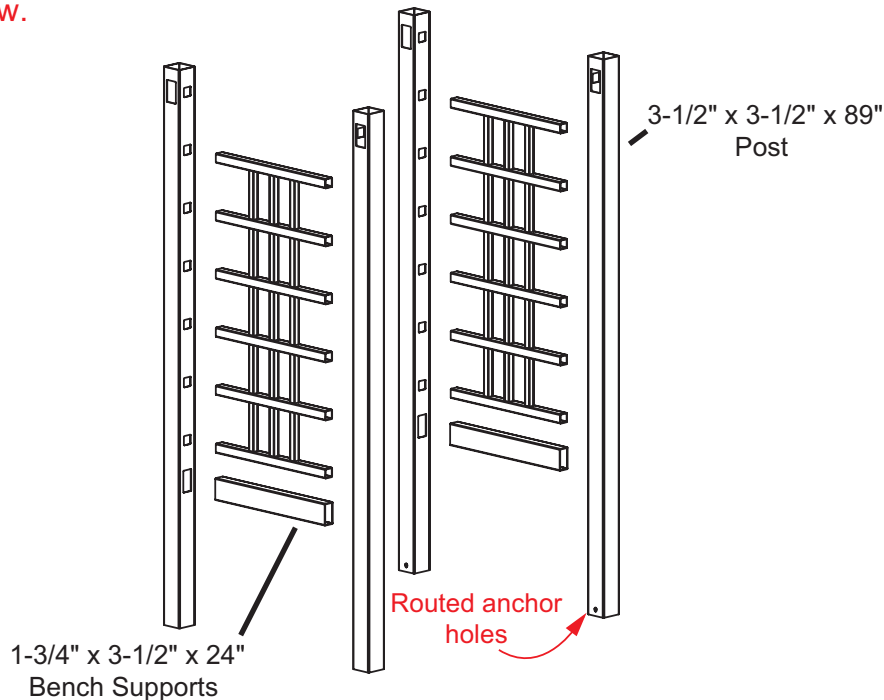
Step 2

Assemble the side panels by inserting (3) 1" x 1" x 47-1/2" Side Panel Verticals into (4) 1-1/2" x 1-1/2" x 24" Side Panel Horizontals and (2) 1-1/2" x 1-1/2" x 24" Top and Bottom Side Panel Horizontals. Repeat step 2 to complete the second side panel. Please note that the Top and Bottom Side Panel Horizontals only have holes routed in one face.



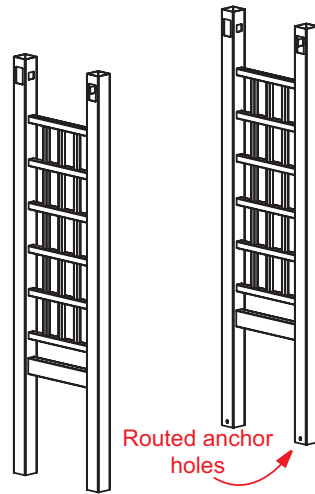
Step 3

Insert the (2) assembled side panels and the (2) 1-3/4" x 3-1/2" x 24" Bench Supports into the (4) 3-1/2" x 3-1/2" x 89" Post uprights making sure that the routed anchor holes at the bottom of the posts are all facing inward. Making sure that the routed anchor holes at the bottom of all four posts face inwards as shown below.



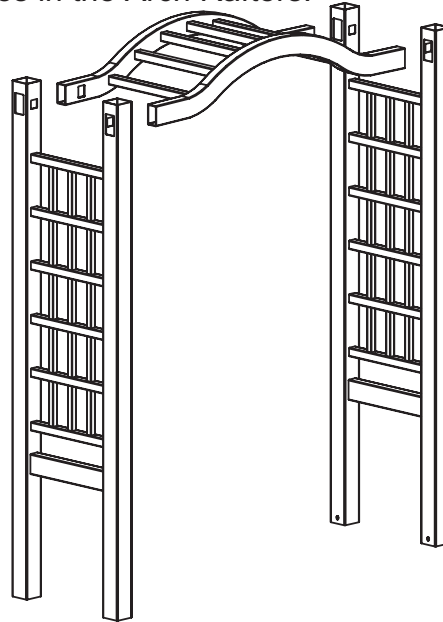
Step 4

The assembled arbor sides must be positioned with the drilled anchor holes at the bottom of the posts facing inwards. (If the anchor holes face outwards, the Arbor Arch cannot be threaded through the posts in Step 5.)"



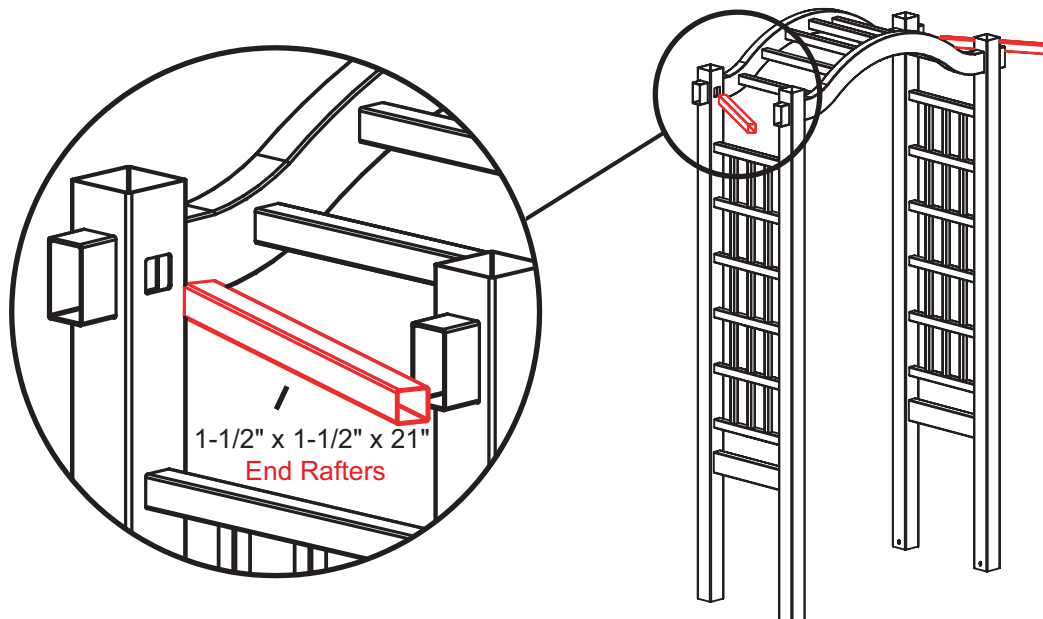
Step 5

Insert the partially assembled arbor arch from step 1 through the routed holes in the side assemblies so the routed holes in the post align with the holes in the Arch Rafters.



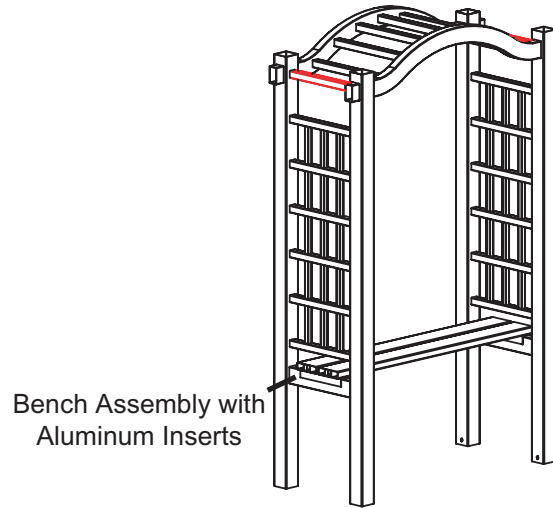
Step 6

Now! Insert the (2) 1-1/2" x 1-1/2" x 21" End Rafters into the post/arch assembly to lock arch assembly to the posts.



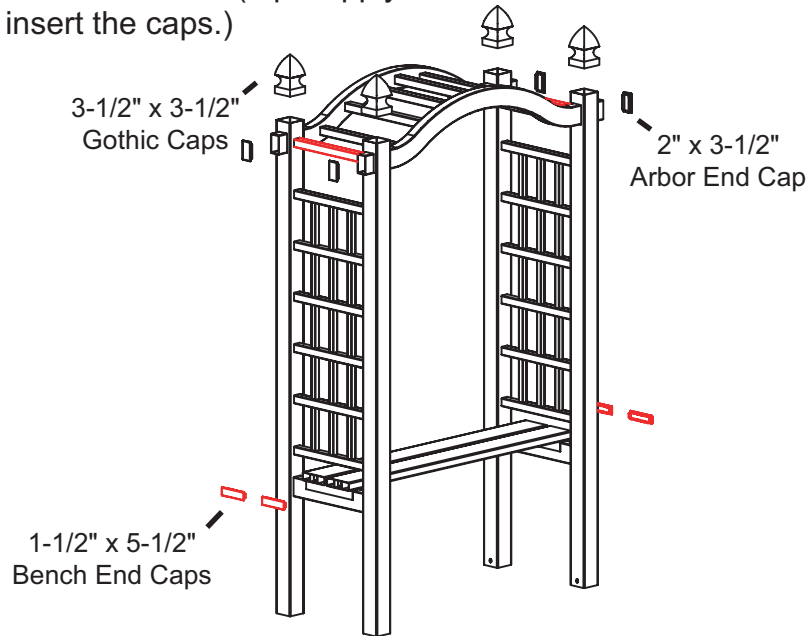
Step 7

Place the Bench Assembly with Aluminum Inserts on top of the Bench Supports.



Step 8

Install the (4) 2" x 3-1/2" Arbor End Caps, the (4) 3-1/2" x 3-1/2" Gothic Caps and the (4) 1-1/2" x 5-1/2" Bench End Caps using the PVC adhesive. (Tip - Apply the adhesive to the internal surfaces of the arch top, posts and bench then insert the caps.)



Step 9

Excavate 4 holes approximately 6" deep and position the arbor into the holes. Drive the (4) Post Anchors through the routed slots on the bottom face of each post. Backfill the holes with soil to cover the post anchors. Tip: Use concrete for more stability

