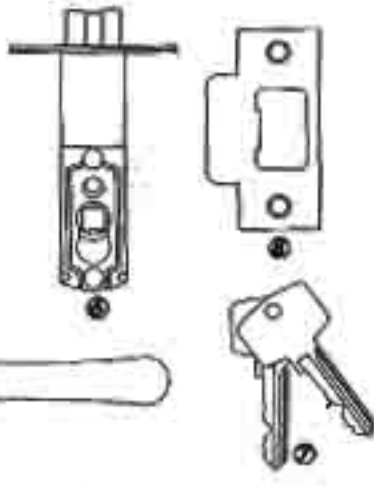
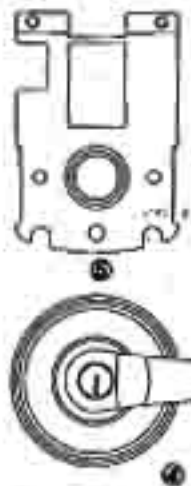
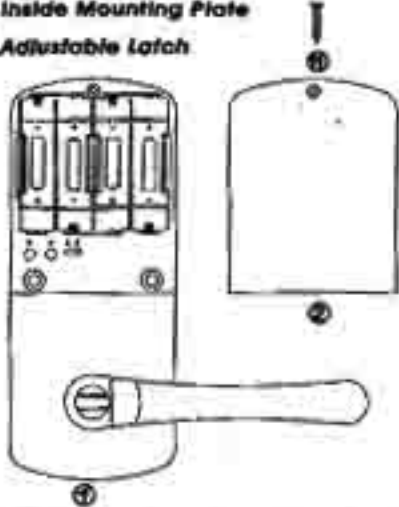
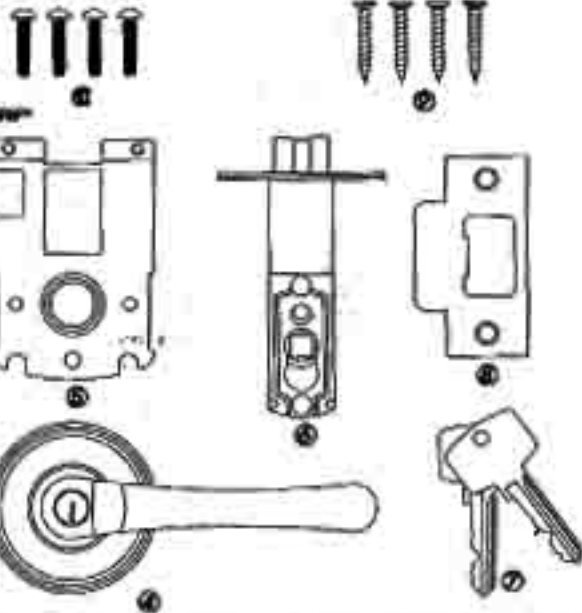


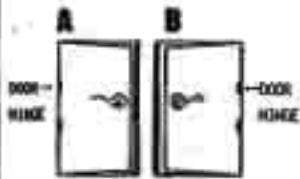
INSTALLATION AND PROGRAMMING INSTRUCTION

PARTS LIST

- ① Main Module / Inside Handle
- ② Battery Cover
- ③ Exterior Face Plate with Touchpad
- ④ Exterior Handle
- ⑤ Inside Mounting Plate
- ⑥ Adjustable Latch
- ⑦ Keys For Manual Over Ride
- ⑧ Strike Plate
- ⑨ Wood Screws
- ⑩ Mounting Screws
- ⑪ Battery Cover Screw



PREPARATION



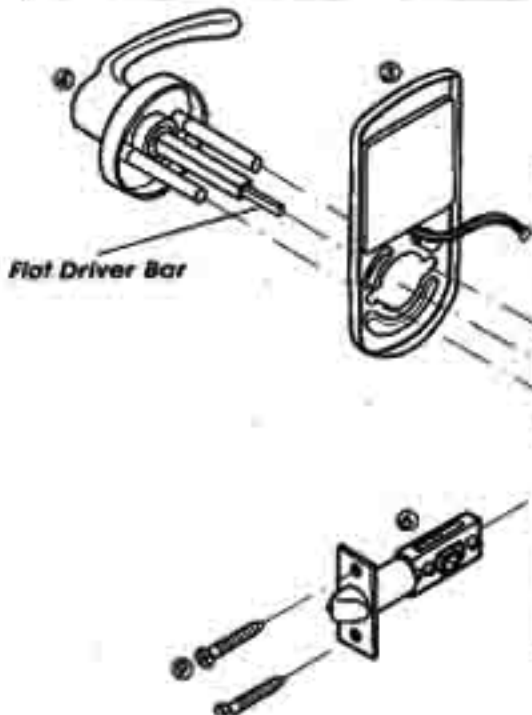
DETERMINE HANDING OF YOUR DOOR

Stand at exterior side and face to your door.
A. Your door is a left handed door if hinges were installed at your left hand.
B. Your door is a right handed door if hinges were installed at your right hand.

[1] MAKE SURE THIS LOCK UNIT FITS THE DOOR TO BE INSTALLED.

[2] REPLACING AN EXSITING LOCK FOLLOW THE DIAGRAM BELOW

[3] NEW INSTALLATION ON NEW DOOR USE TAMPLATE ENCLOSED TO PREPARE DOOR.



1. REMOVE ALL COPONENTS OF OLD LOCK FROM THE DOOR.
2. FOLLOW PROCEDURE 6 AND 7 TO INSTALL BACKSET
3. INSTALL PARTS ⑧, ⑨, ⑩, THEN CONNECT THE WIRING
4. INSTALL PARTS ⑤ LAST
5. MAKE SURE THE FLAT DRIVER BAR AND THE THUMP TURN FIT CORRECTLY BEFORE TIGHTEN THE MOUNTING SCREW ⑩
6. TURN THE HANDLE TO MAKE SURE THE LATCH FUNCTION CORRECTLY

